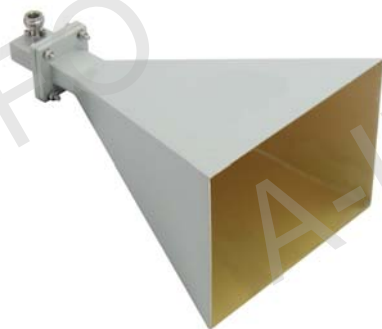


Technical Specification

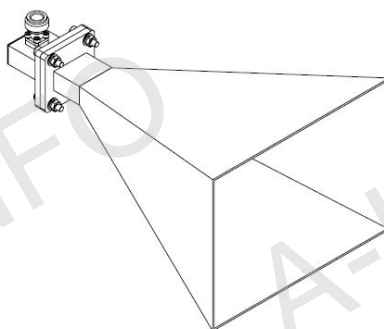
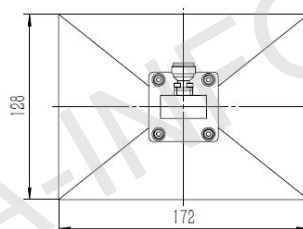
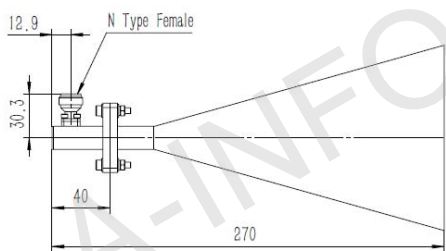


Frequency Range(GHz)	6.0 - 12.0
Gain(dBi)	20 Typ.
Polarization	Linear
3dB Beamwidth(deg)	E Plane: 20 - 11
	H Plane: 21 - 14
Cross Pol. Isolation(dB)	35 Typ.
VSWR	1.5:1 Typ.
Output	N-Female
	or SMA-Female
	or TNC-Female
	or 7mm or 3.5mm-Female
Power Handling(W)	N-Female: 150 Max. CW
	SMA-Female: 50 Max. CW
	TNC-Female: 150 Max. CW
	7mm: 150 Max. CW 3.5mm-Female: 50 Max. CW
Material	Al
Size(mm)	172 x 128 x 270
Net Weight(Kg)	0.5 Around

Outline Drawing (Size: mm)

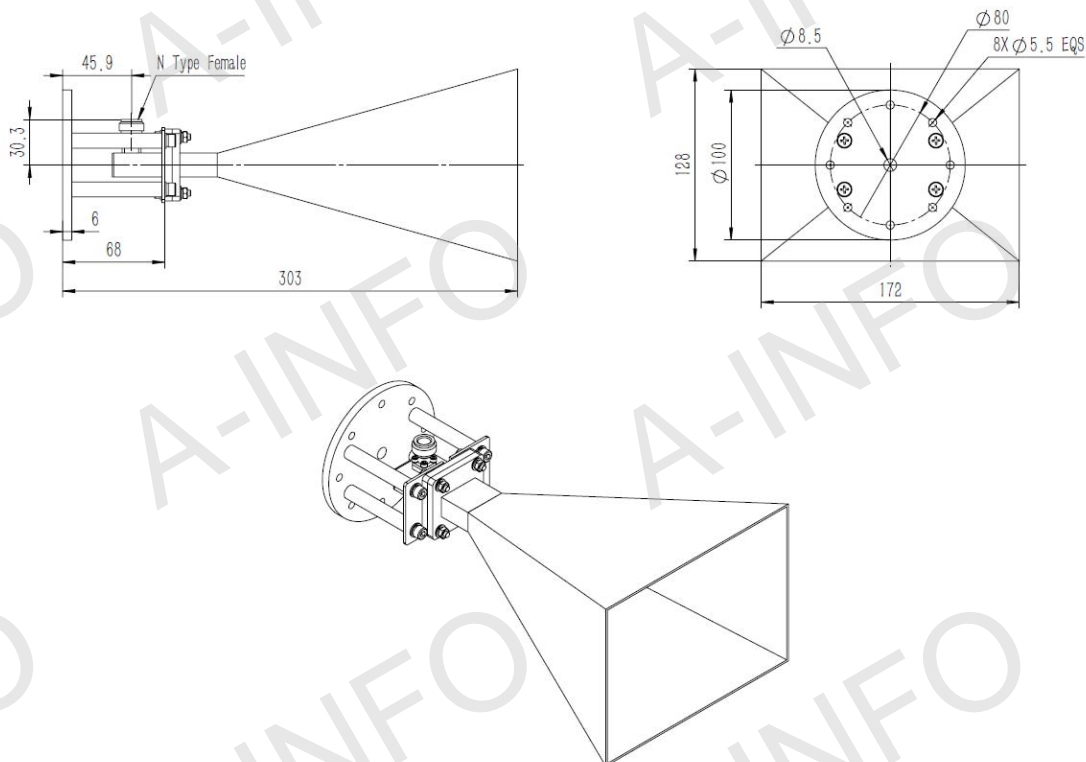
N-Female Output

For SMA-Female, TNC- Female, 7mm or 3.5mm-Female output outline drawing, please contact A-INFO.



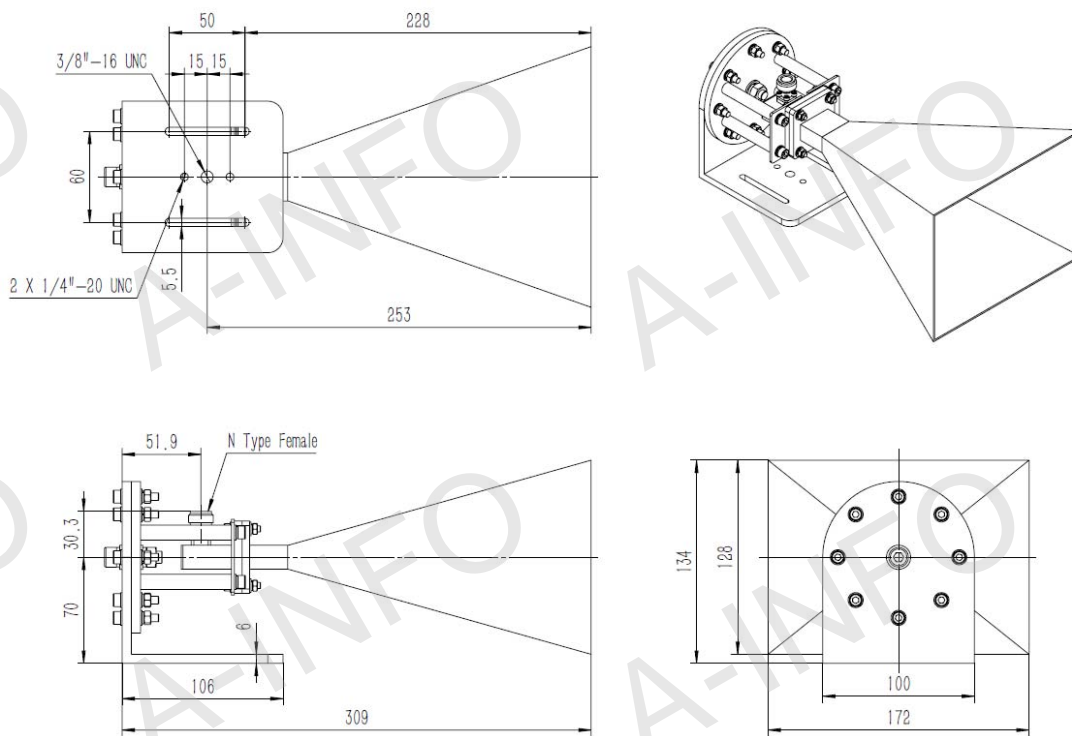
N-Female Output With Round Mounting Bracket

For SMA-Female, TNC- Female, 7mm or 3.5mm-Female output outline drawing, please contact A-INFO.



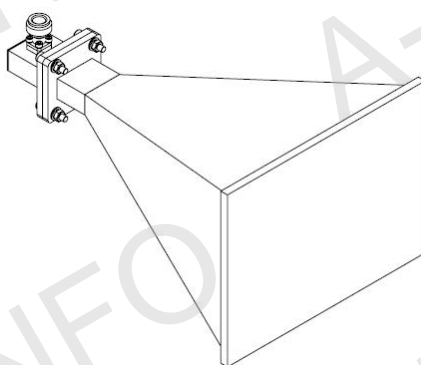
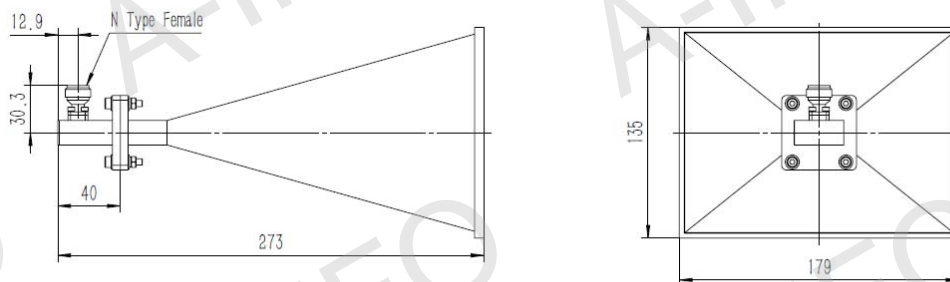
N-Female Output With L Type Mounting Bracket

For SMA-Female, TNC- Female, 7mm or 3.5mm-Female output outline drawing, please contact A-INFO.



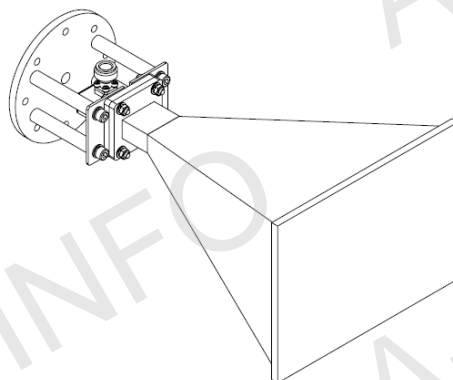
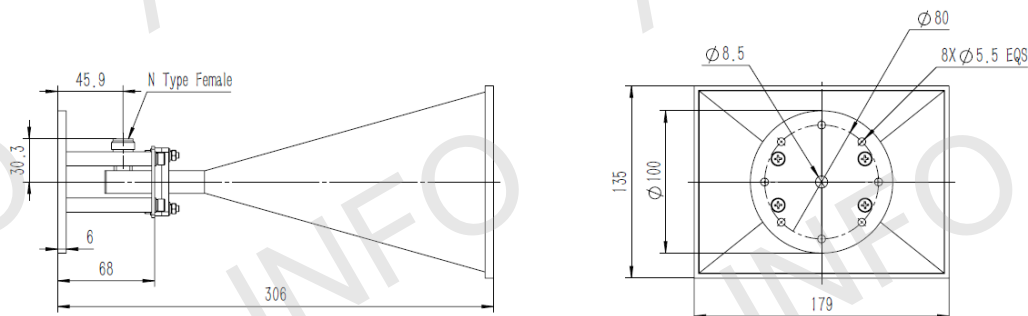
N-Female Output With Radome

For SMA-Female, TNC- Female, 7mm or 3.5mm-Female output outline drawing, please contact A-INFO.



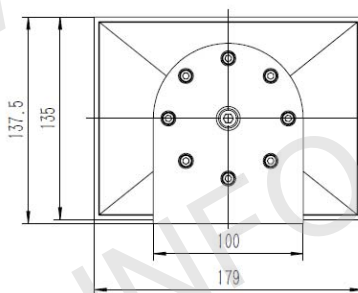
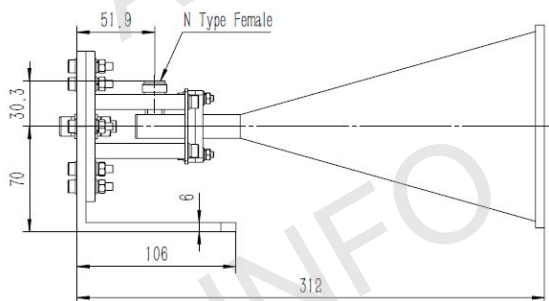
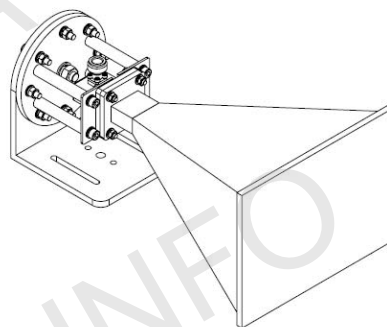
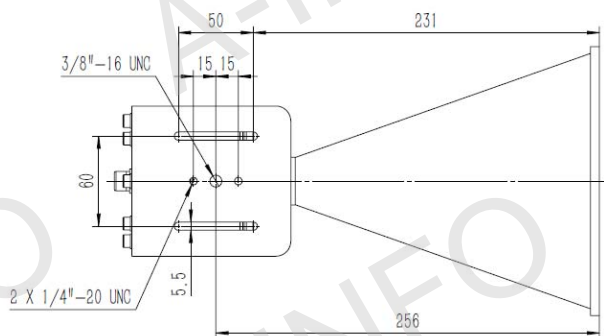
N-Female Output With Round Mounting Bracket & Radome

For SMA-Female, TNC- Female, 7mm or 3.5mm-Female output outline drawing, please contact A-INFO.



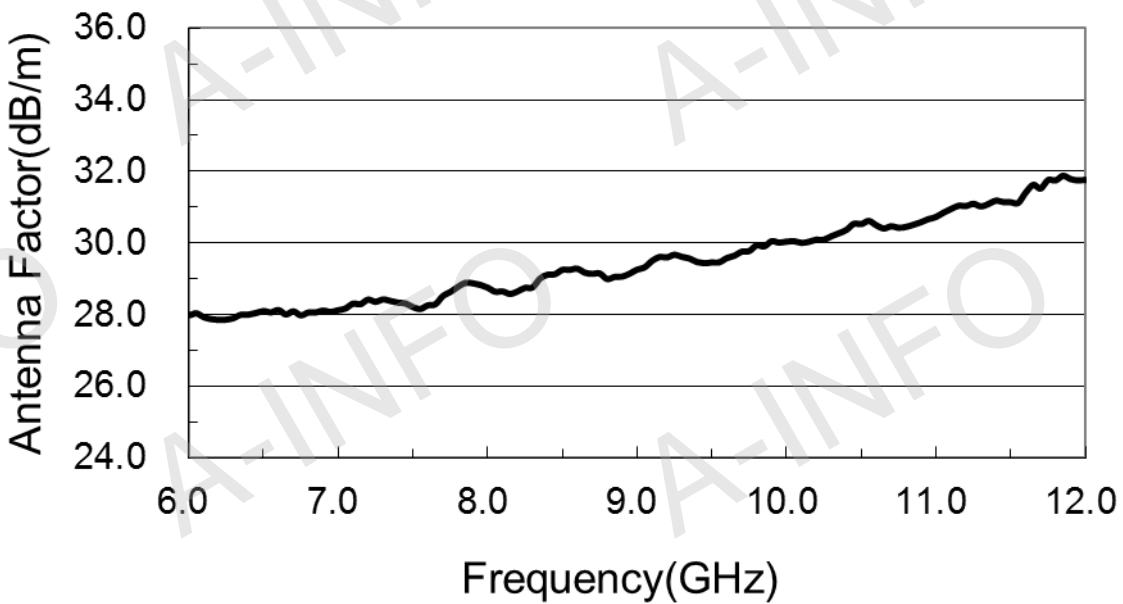
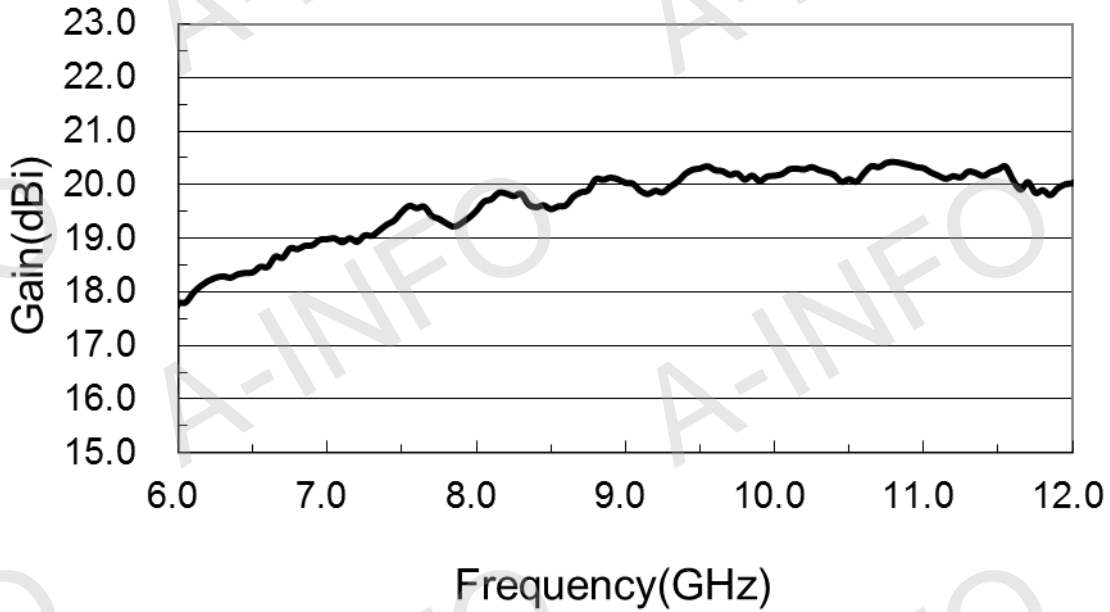
N-Female Output with L Type Mounting Bracket & Radome

For SMA-Female, TNC- Female, 7mm or 3.5mm-Female output outline drawing, please contact A-INFO.

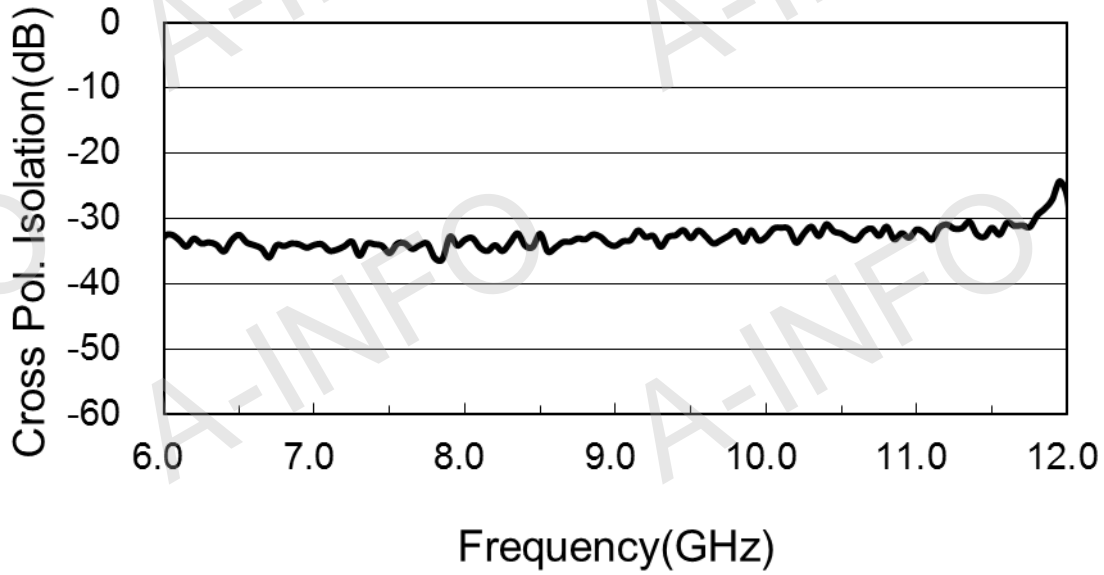


Test Results

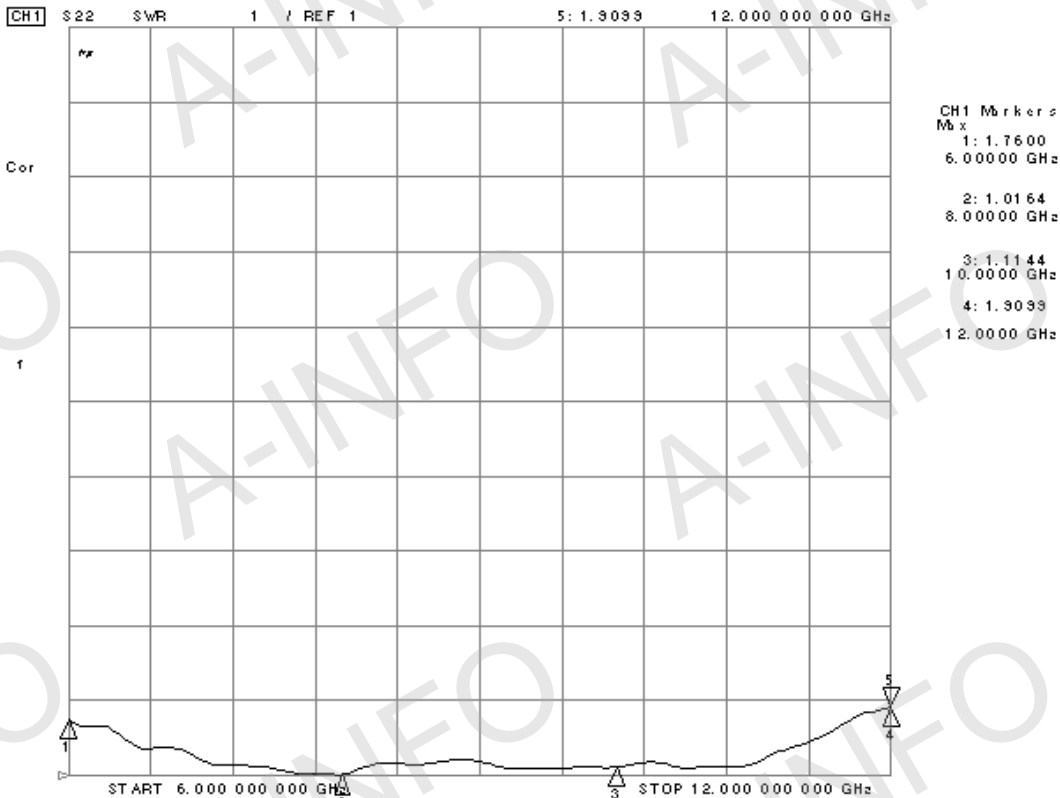
1. Gain & Antenna Factor



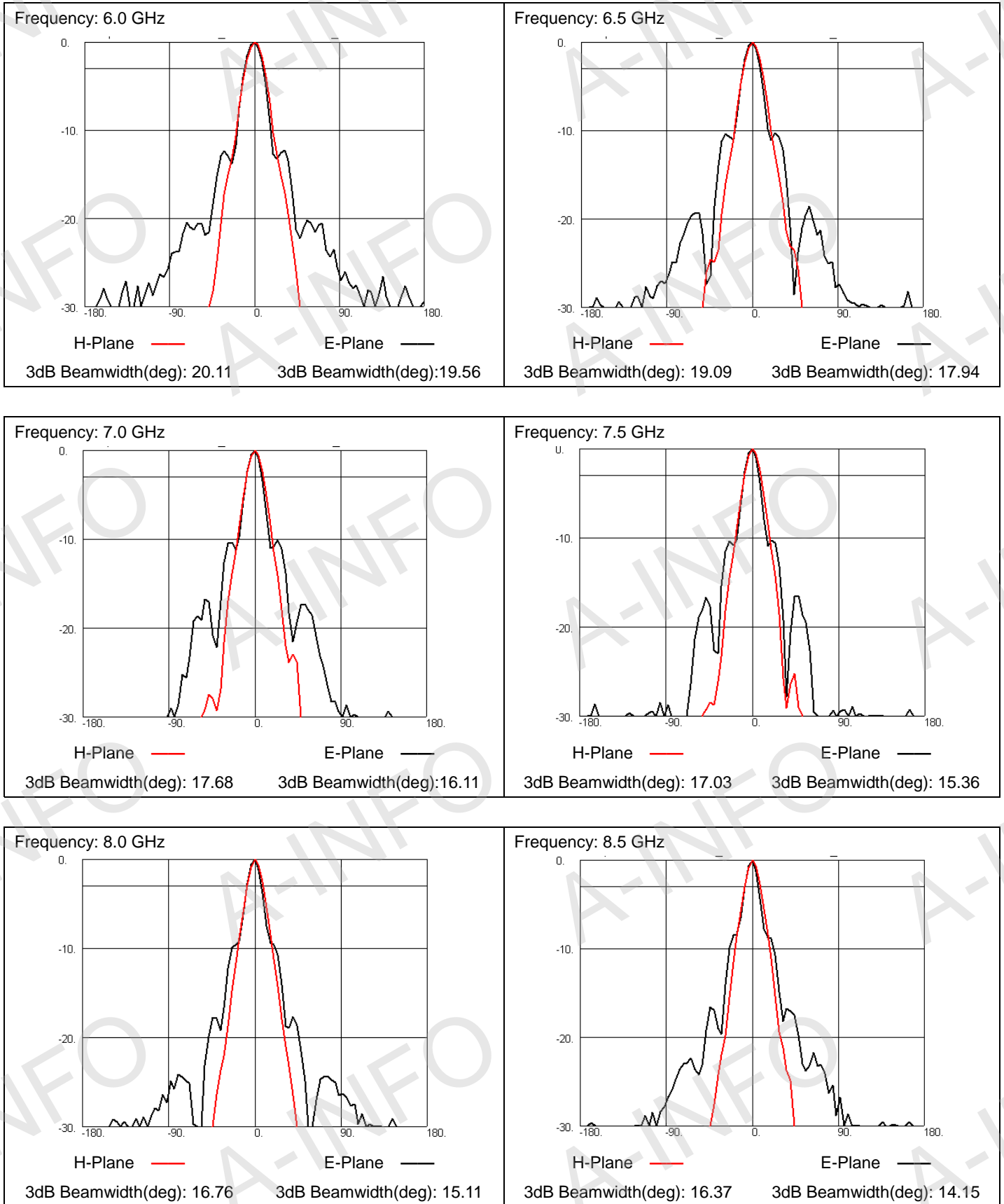
2. Cross Pol. Isolation



3. VSWR



4. Pattern



AINFO Inc.

Page 7 of 9

China(Beijing):
China(Chengdu):
USA :

Tel: (+86) 10-6266-7326,
Tel: (+86) 28-8519-2786,
Tel: (+1) 949-639-9688,

(+86) 10-6266-7327
(+86) 28-8519-3044
(+1) 949-639-9608

Fax: (+86) 10-6266-7379
Fax: (+86) 28-8519-3068
Fax: (+1) 949-639-9670

Website: www.ainfoinc.com
Email: sales@ainfoinc.com

